



COLT 1600

HEAVY DUTY SCREENER

HIGH CAPACITY | VERSATILE

OVERVIEW - COLT 1600

The high capacity, versatile heavy duty Colt 1600 scalper is designed to work in primary and secondary screening applications such as quarry and mining, construction demolition waste, sand, gravel, compost, top soil and coal.

The plant has the capacity to process at a rate of up to 600 tonnes per hour and can be fed either by a tracked mobile crusher, shovel or an excavator. The machine is available with dual power technology giving flexibility to be powered by an external power supply or the standard on-board engine.

1 HOPPER

- 7m³ (9.16 yd³)
- 1m (40") wide, Abrasion resistant steel pan apron feeder
- Variable speed

4 CONVEYORS

- 1200m (48") Wide collection conveyor
- 900mm (36") Wide fines conveyor discharge height 4m (13' 1") (with optional extension 4.8m / 15' 9")
- Midgrade Conveyor: 800mm (32") discharge height 3.4m (11' 2") (with optional extension 4.1m / 13' 5")
- Oversize Conveyor: 1200mm (48") discharge height 3.6m (11' 10")

2 SCREEN

- 4.8m x 1.53m (16' x 5') Double deck screen
- Variable screen angle
- Extensive range of screen media
- Optional Spaleck Screen Box
- Optional Triple Shaft Screen Box (Note larger engine and tracks)

5 CONTROL SYSTEM

- Simple intuitive operation

3 ENGINE OPTIONS

- Tier 3 / Stage IIIA CAT C4.4 83kW (111.3hp) @1800rpm
- Tier 3 (LRC) CAT C4.4 98kW (131hp) @1800rpm
- Stage IIIA (Europe Only) CAT C4.4 98kW (131hp) Constant Speed
- Tier 4 Final / Stage IIIB CAT C4.4 82kW (110hp) @1800rpm
- Dual Power – 2 x37kW IE3 electric motors c/w hydraulic gear pumps and electrical control panel allowing machine to run in either Diesel or Electric mode
- Simple to operate



**CONFIGURABLE
LAYOUT AND ABILITY
TO CONVERT TO 2
WAY SPLIT**



**VARIABLE SPEED ON
FEEDER, MIDGRADE
AND OVERSIZE AS
STANDARD**



**UP TO
600
TONNES PER HOUR
(661 US TPH)**

VERSATILITY



**2
WAY
SPLIT**



**VARIABLE
SCREEN
THROW**



**VARIABLE
SCREEN
ANGLE**



**HIGH ENERGY
AGGRESSIVE
SCREEN**



**REVERSIBLE SIDE
CONVEYORS/CONFIGURABLE
DISCHARGE**





**INTUITIVE
CONTROL
SYSTEM**



**WIDE RANGE
OF SCREEN
MEDIA**



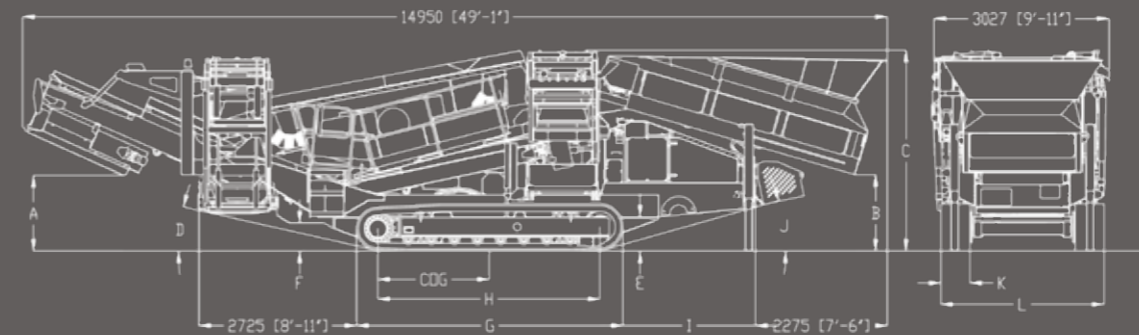
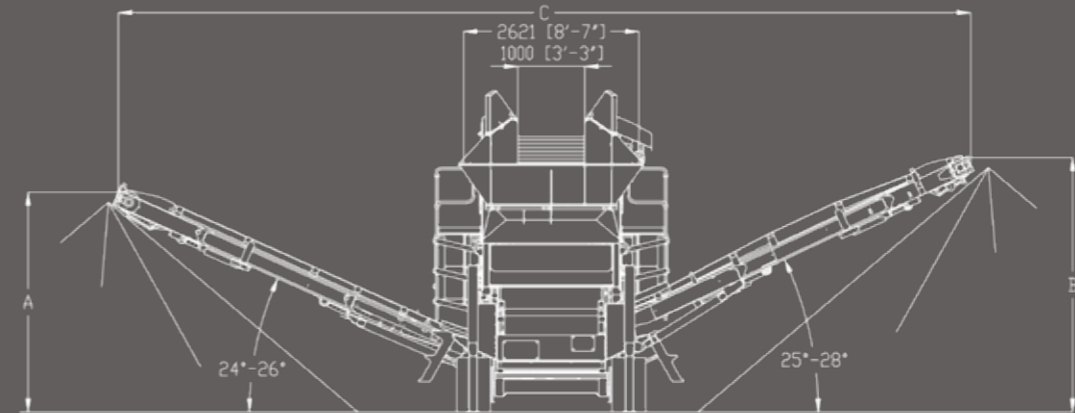
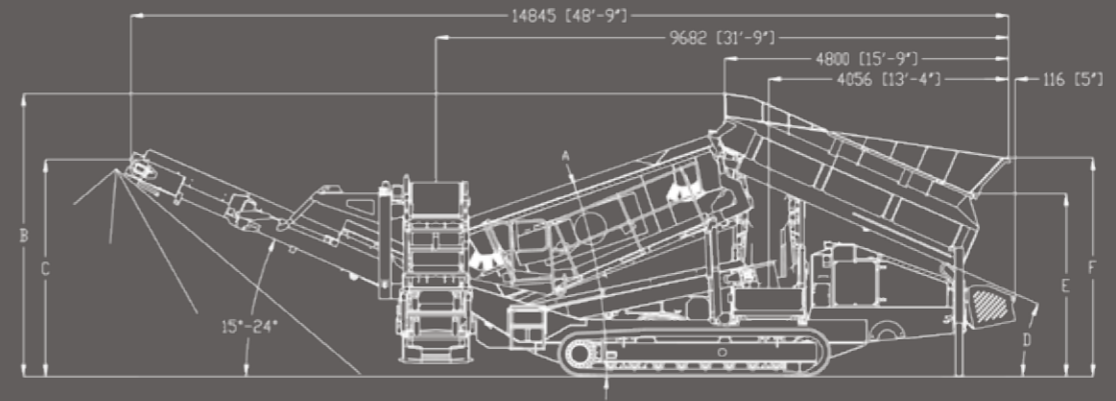
**QUICK
SETUP
TIME**



**DUAL
POWER**



**EASY TO
TRANSPORT**



Weight (standard machine) 31,000kgs (68,343lbs)

DIMENSIONS - COLT 1600

200 Coalisland Road,
Dungannon, Co. Tyrone, BT714DR
Tel: +442887718500
Email: evoquip@terex.com



[terex.com/EvoQuip](https://www.terex.com/EvoQuip)

The material in this document is for information only and is subject to change without notice.

Terex assumes no liability resulting from errors or omissions in this document, or from the use of the information contained herein.

Due to continual product development we reserve the right to change specifications without notice.

Photographs are for illustrative purposes only, some or all of the machines in the illustrations may be fitted with optional extras.

Copyright 2019 Terex GB Limited.

Published and Printed in October 2019.