

CRS8203 PORTABLE SCREEN PLANT



High Performance Plant Featuring the LJ-TS “V” Series 8' x 20' Triple Deck Screen

Note - Unit shown with the following options: flex shaft screen drive, power panel, rear leveling jacks, and hinged fines conveyor.

STANDARD FEATURES

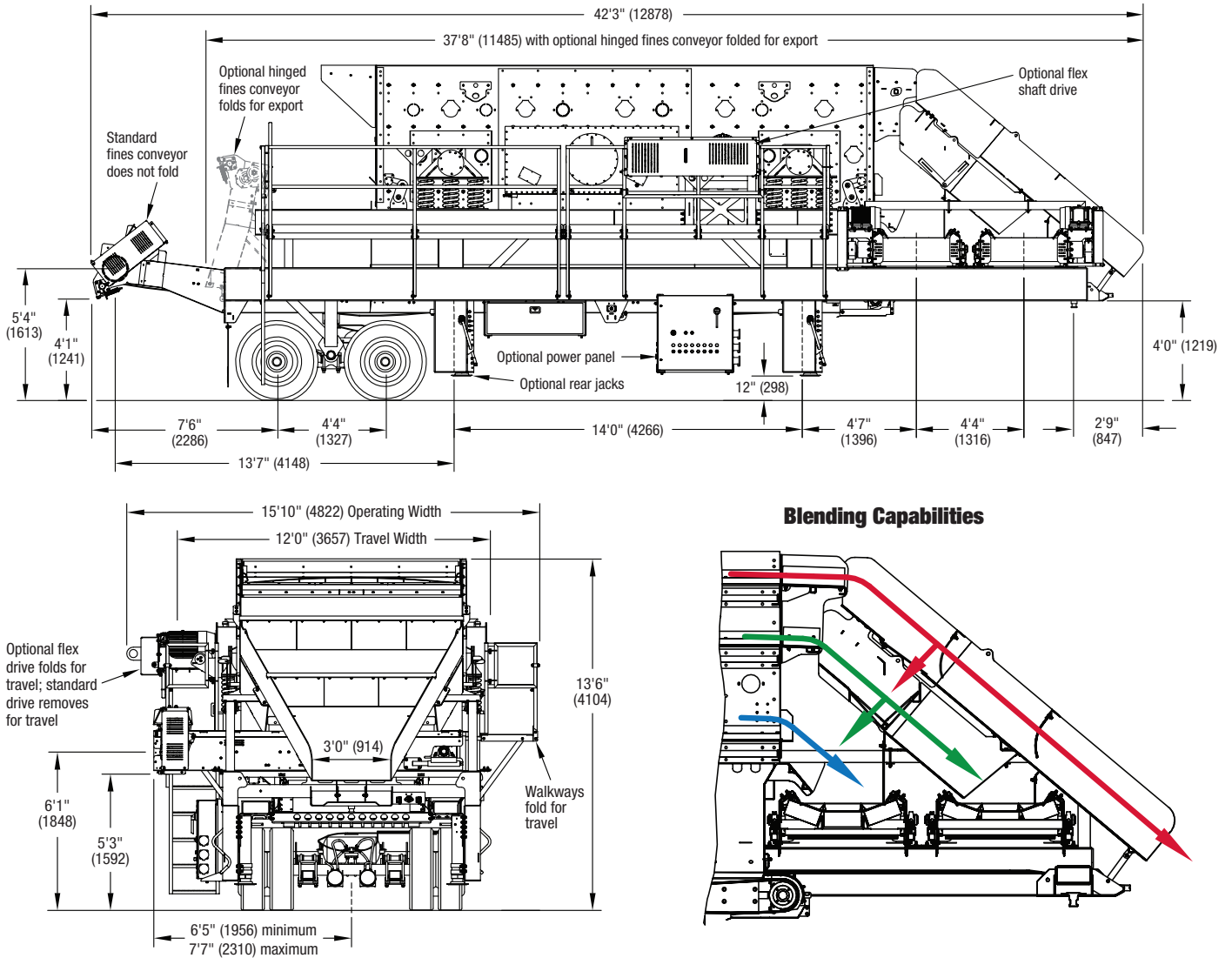
- ▶ High performance 8' x 20' (1438 x 6096 mm) triple deck screen
 - El-Jay[®] oval stroke with adjustable angle, length and speed
- ▶ Extra heavy truss frame
 - Large I-beam main beams
 - Rigid diagonal truss construction
 - Heavy-duty spring suspension with eight 295/75 R22.5 tires
 - Fail safe spring applied air brakes, brake and directional signals, and splash guards
 - Two crank style landing jacks
- ▶ Rugged heavy-duty conveyor systems
 - Wide 60" (1524 mm) underscreen fines conveyor
 - Two 36" (914 mm) fully skirted, reversible cross conveyors
 - Cross conveyors extend 20" (508 mm) beyond main frame
- Easy access belt take-ups
- 3-ply belts with vulcanized splices
- Class II shaft mount gear boxes and TEFC motors
- Cema C-class idlers and rubber disc return rollers
- Integrated belt centering guide rollers
- Primary style belt wiper (underscreen conveyor)
- ▶ Heavy-duty roll-away blending chutes for screen cloth access
 - 3/8" (9.5 mm) AR 400 construction
 - 4-section (25%) blending gate system for all decks
 - Heavy bolt-in upper gate sections handle large stones
 - Combine decks: Top + Center; Center + Bottom
- ▶ Wide, fold-down walkways on both sides and feed end of screen
 - Non-skid grip tread surface can be shovel cleaned

OPTIONAL EQUIPMENT

- ▶ Complete isolation mounted, expandable switchgear
- ▶ Remote control panel with 100' (30 m) tether
- ▶ Additional 25 hp (19 kW) motor starters (maximum of four)
- ▶ Power cable and stowage hangers
- ▶ Low maintenance 50 hp (37 kW) flexible shaft screen drive
 - No belt whip and tension idlers
 - Drive folds to minimize transport width
- ▶ Two crank style rear leveling jacks
- ▶ Four hydraulic leveling, pinned, run-on jacks
- ▶ 2.5" to 3.5" (63 to 89 mm) convertible kingpin
- ▶ Oversize 315/80 R22.5 tires
- ▶ Patent-pending bottom deck deflector plates boost effective area
- ▶ Magnetic deck wear liners protect cross beams and braces
- ▶ TOPS2.0 Terex Oil Purification System
- ▶ Hinged fines conveyor for export

SPECIFICATIONS

Terex® Minerals Processing Systems Cedarapids CRS8203 Portable Screen Plant



SPECIFICATIONS

LJ-TSV8203 Screen.....	8' x 20' (2438 x 6096 mm)
Underscreen conveyor.....	60" (1524 mm)
Cross conveyors	36" (914 mm)
Horsepower	
LJ-TSV8203 Screen.....	50 hp (37 kW)
Underscreen conveyor.....	10 hp (7.5 kW)
Cross conveyors	7.5 hp (5.6 kW)

Approximate Weights

Kingpin.....	25,500 lbs (11570 kg)
Rear axle.....	35,500 lbs (15900 kg)

www.terexmps.com

Effective Date: November 2013. Product specifications and prices are subject to change without notice or obligation. The photographs and/or drawings in this document are for illustrative purposes only. Refer to the appropriate Operator's Manual for instructions on the proper use of this equipment. Failure to follow the appropriate Operator's Manual when using our equipment or to otherwise act irresponsibly may result in serious injury or death. The only warranty applicable to our equipment is the standard written warranty applicable to the particular product and sale and Terex makes no other warranty, express or implied. All rights are reserved. Terex, the Terex Crown, Works For You, Cedarapids and other marks are trademarks licensed or owned by Terex Corporation or its subsidiaries. © 2013 Terex Minerals Processing Systems.

Terex® Minerals Processing Systems, 909 17th Street NE, Cedar Rapids, IA 52402 USA
Tel +1 319 363 3511 Fax +1 319 399 4871 www.terexmps.com

Form 26136 (11/13)



WORKS FOR YOU.™